

AR9 CHANNEL FIXTURE

GENLED Acolyte[®]'s AR9 Channel Fixture is a recessed mounted linear fixture designed to work with the new Micro RibbonLyte 3.0 & 4.5. AR9's ultra slim width of 0.31 in (8 mm) can create clean and modern linear designs for retail stores, commercial buildings and residential interiors.

- Beam Angle 40°
- Wattage: 3.0 W/ft (9.84 W/m) or 4.5 W/ft (14.76 W/m)
- Delivered Lumen Range from 149.3 lm/ft (489.7 lm/m) to 268.2 lm/ft (879.7 lm/m)

Applications:

Commercial	Hospitality	Residential
Entertainment	Museums	Retail
Healthcare	Public Spaces	



AVAILABLE LENS FINISHES



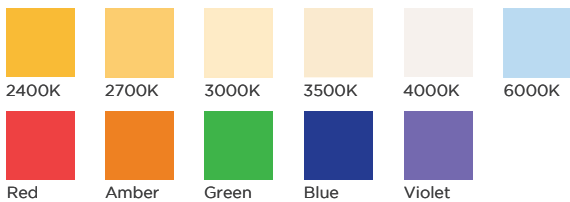
Milky Lens
63% Light Transmission

ORDERING GUIDE

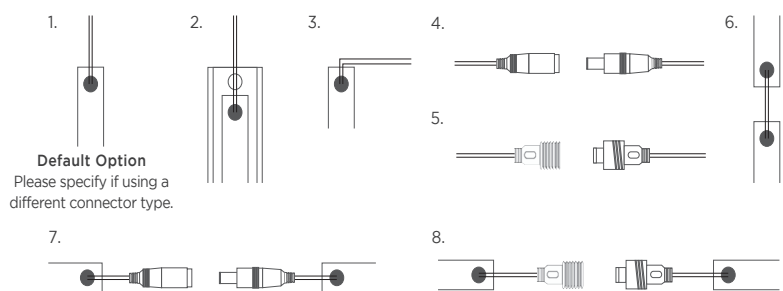
Category	Model	Lens	Series	CRI	Waterproof	Voltage	Wattage
CH	AR9		MC	90		24	
CH - Channel	AR9	Blank - None M - Milky	MC - Micro	HI - 90+	20 - IP20 65 - IP65 68 - IP68	24 - 24 V	3.0 - 3.0 W/ft (White, Red, Amber, Green, Blue, Violet) 4.5 - 4.5 W/ft (White, Red, Amber, Green, Blue, Violet)

Color Temp.	Connection Options	Dimming	Length	Included Accessories:
24 - 2400K	1 - End Feed Hard Wire Connection	ND - Non-dimming	Specified	1. Mounting Clip
27 - 2700K	2 - Back Feed Hard Wire Through Channel	MLV - MLV	Run length	Optional Accessories: 1. Tilttable Stand (Part No.: TILTSTAND)
30 - 3000K	3 - Side Feed Hard Wire Connection	ELV - ELV	Required	
35 - 3500K	4 - IP20 Connector Input	DMX - DMX (Only for Color Changing: RGB, RGBW, RGBA, VW, VWA, VWR)		
40 - 4000K	5 - IP67 Connector Input	DL - DALI (Only for Static White, Static Color)		
60 - 6000K	6 - Soldered Daisy-Chain	LUT - Lutron (Only for Static White, Static Color)		
	7 - Daisy Chain with IP20 Connectors			
	8 - Daisy Chain with IP67 Connectors			

AVAILABLE COLOR TEMPERATURES

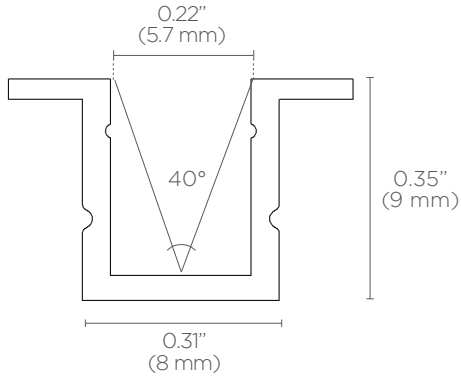


CONNECTION OPTIONS



SPECIFICATIONS

AR9 Channel



Beam Angle	40°
Lens Type	Milky
Recessed Width	0.31 in (8 mm)
Height	0.35 in (9 mm)
Internal	0.22 in (5.7 mm)
Length	Channel is sold by the foot and cut to your exact desired length. Required amount of mounting clips included. Tilttable stands are sold separately
Operating Voltage	24V
Dimming	MLV / 0-10 Volt / Lutron A-Series 1% dimming LED drivers / Lutron VIVE code compliance available / ELV / DALI
Operating Temperature	-40° F to 158° F (-40° C to 70° C)
Colors	2400K, 2700K, 3000K, 3500K, 4000K, 6000K, Red, Amber, Green, Blue, Violet
CRI	90+ CRI
Lamp Life	50,000 Hours
MacAdam's Ellipses (SDCM)	2-Step Binning (For Static White LEDs only)
Certifications	ETL Listed: UL 2108 Issued: 2004/02/27 Ed: 1 Rev: 2014/02/24 Low Voltage Lighting Systems CSA C22.2#9.0 Issued: 1996/06/01 Ed: 1 (R2011) General Requirements for Luminaires; with Gen. Inst. 1: 1997, Gen Inst. 2: 1998. ROHS compliant UL 2108 - Low Voltage Lighting Systems UL 8750 - Light Emitting Diode (LED) Equipment for Use in Lighting Products UL 1598 / CSA 250.0-08 - Luminaires

Available Wattages	Cuttable Length	LED Pitch	Color Temperature	lm/W without Lens	Delivered Lumens with Milky Lens	Standard Cable Length	Compatible with Channel		
							IP20	IP65	IP68
3.0 Micro	3.94 in (100 mm)	18 LEDs/ft (60 LEDs/m)	2400K	79	149.3 lm/ft (489.7 lm/m)	12 in (30.5 cm)	✓	✓	
			2700K	90	170.1 lm/ft (557.9 lm/m)				
			3000K	94	177.7 lm/ft (582.7 lm/m)				
			3500K	98	185.2 lm/ft (607.5 lm/m)				
			4000K	97	183.3 lm/ft (601.3 lm/m)				
4.5 Micro	1.97 in (50 mm)	36 LEDs/ft (120 LEDs/m)	2400K	80	223.5 lm/ft (733.2 lm/m)	12 in (30.5 cm)	✓	✓	
			2700K	88	247.8 lm/ft (812.7 lm/m)				
			3000K	93	259.8 lm/ft (852.2 lm/m)				
			3500K	87	244.7 lm/ft (802.6 lm/m)				
			4000K	97	268.2 lm/ft (879.7 lm/m)				
			6000K	94	263.1 lm/ft (862.9 lm/m)				

Acolyte does not warrant or represent that the information is free from errors or omission. The information may change without notice and Acolyte is not in any way liable for the accuracy of any information printed and stored or in any way interpreted or used.

AVAILABLE DRIVERS

NON-DIMMING ELECTRONIC DRIVERS

LUTRON HI-LUME DRIVERS



60W, 100W Non-Dimming Electronic Class 2 Drivers

Part No.: DRVW2460HTC, DRV24100HTC
Output Voltage: 24 V
Voltage Range: 120-277 VAC
IP Rating: Dry or Damp
UL Listed



240W, 320W Non-Dimming Electronic Drivers

Part No.: DRVW24240, DRVW24320
Output Voltage: 24 V
Voltage Range: 90-305 VAC
IP Rating: Dry or Damp
UL Recognized



40W, 96W Class 2 Lutron Hi-Lume Drivers

Part No.: DRVLUT24403W, DRVLUT24402W, DRVLUT24963W
Output Voltage: 24 V
Voltage Range: 120-277 VAC or 120V (2-wire model)
IP Rating: Dry or Damp
Dimmable using 2-wire forward phase or 3-wire ecosystem
UL Listed

MAGNETIC, ELV & MLV DRIVERS WITH COMPATIBLE DIMMERS.



60W, 96W, 200W, 300W Class 1 & 2 Magnetic Drivers

Part No.: DRVWDIM2460, DRVWDIM24100, DRVWDIM24200, and DRVWDIM24300
Magnetic Driver
Output Voltage: 24 V
Voltage Range: 120-277 VAC
IP Rating: Dry or Damp
Forward Phase Dimming
ETL Listed



60W, 96W, 150W, 200W ELV & MLV Drivers

Part No.: DRVW2460ELV, DRVW2496ELV, DRVW24150ELV, DRVW24200ELV
Line Voltage Dimmable Drivers
Output Voltage: 24 V
Voltage Range: 100-130 VAC
IP Rating: Dry or Damp
Dimmable
ETL, UL and CSA Listed



LUTRON Skylark Contour Dimmer

Part No.: TRIDIMSKY
Width: 2.94 in (75 mm)
Length: 4.69 in (120 mm)
Depth: 0.30 in (7.6 mm)

- Single pole and 3-way versions
- Compatible with Acolyte Triac Dimmer
- Slide adjusts brightness and On/Off control
- 30 mA max control current
- Available in White finish



LUTRON NOVA-T Dimmer

Part No.: TRIDIMNOVA
Width: 2.75 in (70 mm)
Length: 4.56 in (116 mm)
Depth: 0.30 in (7.6 mm)

- Slide adjusts brightness and On/Off control
- 30 mA max control current
- Available in White finish



LUTRON DIVA Dimmer

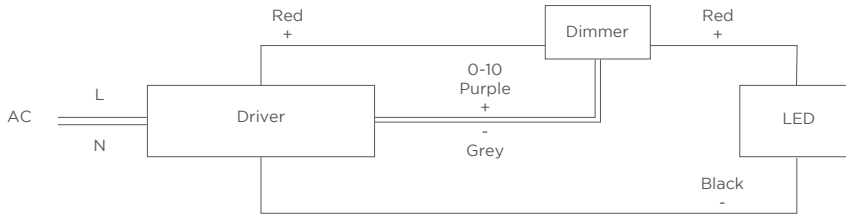
Part No.: TRIDIMDIVA
(With Locator Light) TRIDIMDIVAL
Width: 2.94 in (75 mm)
Length: 4.69 in (120 mm)
Depth: 0.30 in (7.6 mm)

- Large paddle switch with a captive linear-slide dimmer
- 30 mA max control current
- Available in White finish
- Available with locator light which glows green when the switch is off

*For more options, please reference the Optional Dimmer List on **GENLED Acolyte**[®]'s product website page.

WIRING DIAGRAM

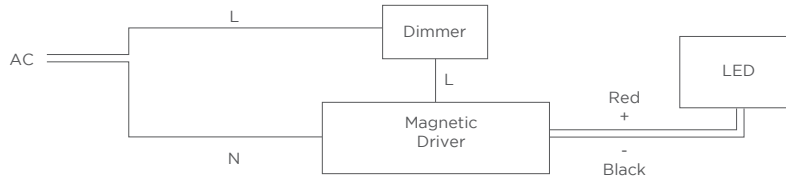
0-10V



WIRE COLORS PER RIBBONLYTE COLOR

- STATIC WHITE +
- STATIC COLOR
- Red Wire (+) Positive
- Black Wire (-) Negative

MAGNETIC + ELV



MAX LENGTH BETWEEN DRIVER AND RIBBONLYTE AT FULL LOAD

Wattages	40		60		96 + 100		150		200		240		300		320	
	Feet	Meters	Feet	Meters	Feet	Meters	Feet	Meters	Feet	Meters	Feet	Meters	Feet	Meters	Feet	Meters
24 AWG	14	4.27	9	2.74	5.5	1.68	3.75	1.14	2.75	0.84	2.25	0.69	1.75	0.53	1.75	0.53
22 AWG	22	6.71	14	4.27	9	2.74	5.75	1.75	4.5	1.37	3.5	1.07	2.75	0.84	2.75	0.84
20 AWG	35	10.67	23	7.01	14	4.27	9	2.74	7	2.13	5.75	1.75	4.5	1.37	4.25	1.30
18 AWG	56	17.07	37	11.28	23	7.01	15	4.57	11	3.35	9	2.74	7.5	2.29	7	2.13
16 AWG	90	27.44	60	18.29	37	11.28	24	7.32	18	5.49	15	4.57	12	3.66	11	3.35
14 AWG	142	43.29	95	28.96	59	17.99	38	11.59	28	8.54	23	7.01	19	5.79	17	5.18
12 AWG	226	68.90	151	46.04	94	28.66	60	18.29	45	13.72	37	11.28	30	9.15	28	8.54
10 AWG	360	109.76	240	73.17	150	45.73	96	29.27	72	21.95	60	18.29	48	14.63	45	13.72
8 AWG	574	175.00	381	116.16	239	72.87	153	46.65	115	35.06	95	28.96	76	23.17	71	21.65

Acolyte does not warrant or represent that the information is free from errors or omission. The information may change without notice and Acolyte is not in any way liable for the accuracy of any information printed and stored or in any way interpreted or used.

REV. 30JAN2019