



RECESSED CHANNEL INSTALLATION GUIDE

Tech Support: 212.629.6830



Our US team is in place to answer all of your product questions and help with installations.



U.S. 24-HR TECHNICAL SUPPORT

(+1) 212 629 6830 *301
Tech@GENLEDBrands.com



U.S. PRICING & SALES SUPPORT

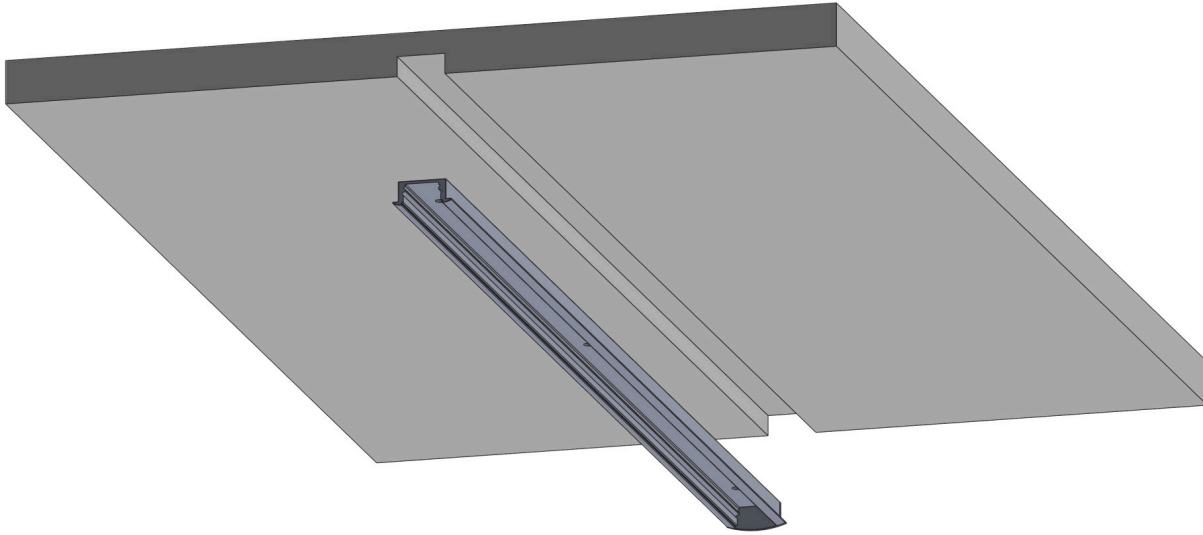
(+1) 212 629 6830 *300
Sales-US@GENLEDBrands.com



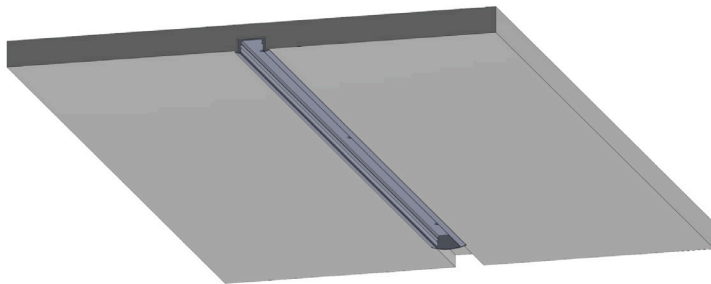
U.S. CUSTOMER SERVICE

(+1) 212 629 6830 *304
CustomerService@GENLEDBrands.com

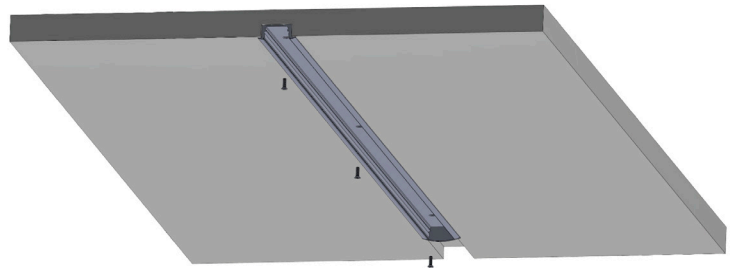
1. Pre-drill holes in the recessed channel for wire pass through and fasteners.
Measure the size of the channel and cut a recess in the surface to match the size of the channel.



2. Place the channel into the recess so that it fits snug with the flanges over the lip of the surface.

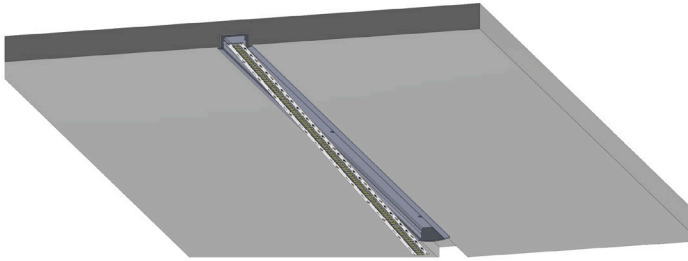


3. Secure the fixture into place with the fasteners. If fasteners cannot be used then a liquid adhesive can be used in the recess before placing the channel.

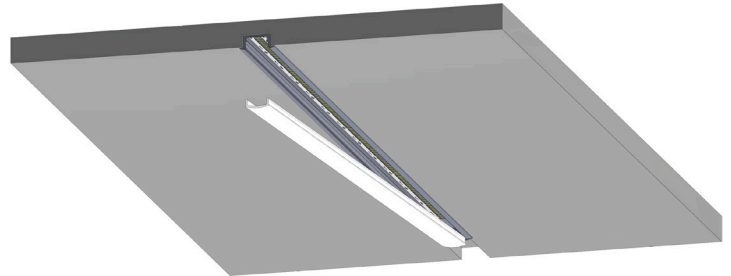




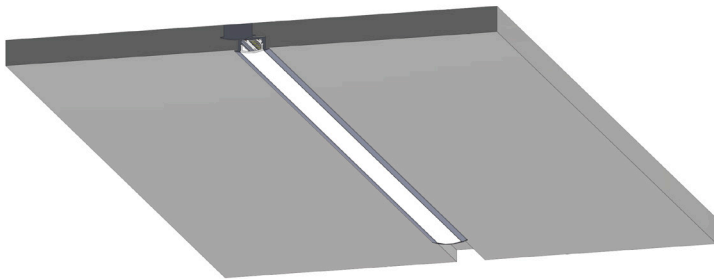
4. Clean the inside of the channel free of dirt and debris with rubbing alcohol and then place the ribbonlyte inside of the channel. Make all necessary electrical connections.



5. Place the lens onto the channel



6. Place the end cap on the channel.



7. Recessed Channel installation complete

