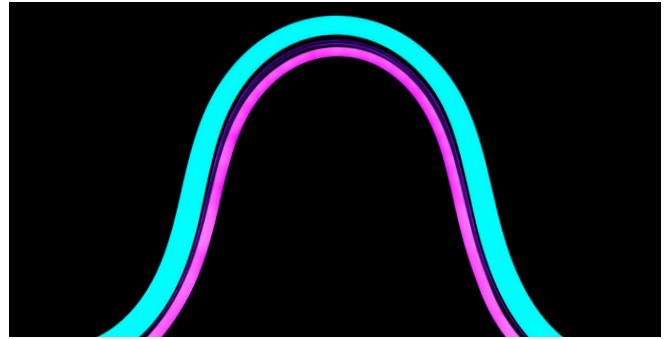


### NEON SILHOUETTE PLUS

This bendable, waterproof channel features all the benefits of modern LEDs while creating the classic look of pinpoint neon lines. Available in static white, static colors, variable white, RGBW and RGBA options, our Neon Silhouette Plus is designed with a larger profile to brave the elements in façade lighting and lettering. It's like neon, but better – and bigger!

- Flexible silicone LED tube creates vivid colors and bold statements
- Waterproof and UV resistant
- Sleek, flat design helps create elegant lighting solutions
- Assembled in U.S.



#### Applications:

|               |               |                  |
|---------------|---------------|------------------|
| Commercial    | Hospitality   | Residential      |
| Entertainment | Museums       | Retail / Signage |
| Healthcare    | Public Spaces |                  |



**RoHS** **IP68**

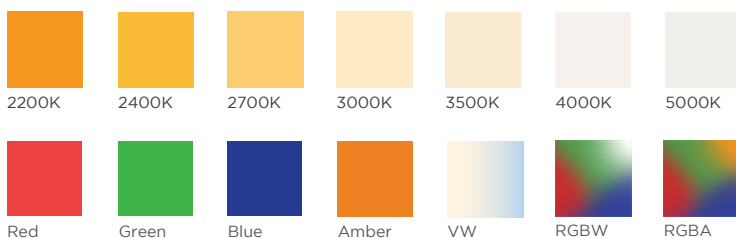
### ORDERING GUIDE

| Category                    | Wattage & Color   |   | Power Feed Direction  |
|-----------------------------|---|---|---|
| <b>NLSP</b>                 |   |   |   |
| NLSP - Neon Silhouette Plus | <b>5.022</b> - 5.0 W/ft 2200K<br><b>5.024</b> - 5.0 W/ft 2400K<br><b>5.027</b> - 5.0 W/ft 2700K<br><b>5.030</b> - 5.0 W/ft 3000K<br><b>5.035</b> - 5.0 W/ft 3500K<br><b>5.040</b> - 5.0 W/ft 4000K<br><b>5.050</b> - 5.0 W/ft 5000K | <b>5.0R</b> - 5.0 W/ft Red<br><b>5.0G</b> - 5.0 W/ft Green<br><b>5.0B</b> - 5.0 W/ft Blue<br><b>5.0A</b> - 5.0 W/ft Amber<br><b>5.0VW</b> - 5.0 W/ft Variable White<br><b>4.4RGB30</b> - 4.4 W/ft Red, Green, Blue + 3000K<br><b>4.4RGBA</b> - 4.4 W/ft Red, Green, Blue, Amber | <b>E</b> - End Feed<br><b>S</b> - Side Feed<br><b>B</b> - Bottom Feed |

#### Mounting

1. Aluminum Mounting Clip  
(Part #: NLSPLUSMOUNTCLIP)

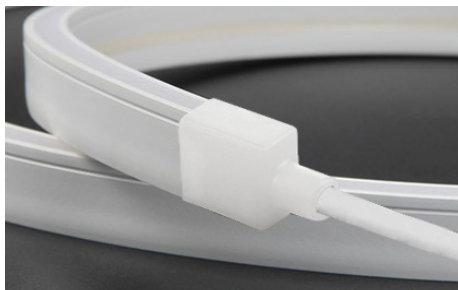
### AVAILABLE COLORS AND COLOR TEMPERATURES



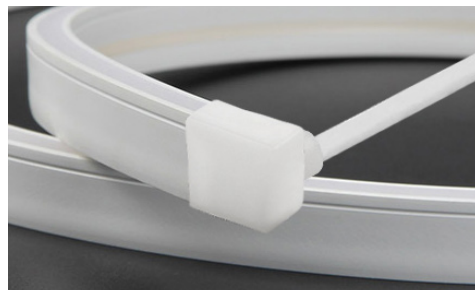
POWER FEED OPTIONS / SPECIFICATIONS / USAGE GUIDELINES

| SPECIFICATIONS              | NEON SILHOUETTE PLUS   |
|-----------------------------|--|
| Operating Voltage           | 24 V   |
| Power Consumption           | Static White / Static Colors / Variable White: 5.0 W/ft (16.4 W/m)<br>RGBW, RGBA: 4.4 W/ft (14.43 W/m)   |
| Protection Rating           | IP68   |
| Dimming                     | ELV / MLV / 0-10 Volt / DMX / Lutron A-Series 1% dimming LED drivers   |
| Operating Temperature       | -40° F to 140° F (-40° C to 60° C)   |
| Color Temperatures / Colors | 2200K, 2400K, 2700K, 3000K, 3500K, 4000K, 5000K, Red, Green, Blue, Amber, Variable White, RGBW (3000K), RGBA   |
| Lamp Life                   | 50,000 Hours   |
| Length                      | Static White at 4000K: Up to 23 ft (7 m) 1.97 in. (50 mm) increments (Not Field Cuttable)<br>Static Color Red & Green: Up to 29.5 ft (9 m) 1.97 in. (50 mm) increments (Not Field Cuttable)<br>Static Color Blue: Up to 20 ft (6 m) 1.97 in. (50 mm) increments (Not Field Cuttable)<br>Static Color Amber: Up to 32.8 ft (10 m) 1.97 in. (50 mm) increments (Not Field Cuttable)<br>Variable White (all on): Up to 21 ft (6.5 m) 1.97 in. (50 mm) increments (Not Field Cuttable)<br>RGBW: Up to 24.6 ft (7.5 m) (Not Field Cuttable) |
| UV Resistant                | UV tested in accordance with ISO 4892-3 with no visible change on the appearance of the sample   |
| Minimum Bend Diameter       | 4 in. (100 mm)   |
| CRI (white)                 | 90+ for all Color Temperatures   |
| Lumens                      | <b>5.0 Static White Series 2 RibbonLyte</b><br>4000K: 104.2 lm/ft (341.8 lm/m)   |
|                             | <b>5.0 Static Color Series 2 RibbonLyte</b><br>Red: 7.07 lm/ft (145 lm/m) / Green: 105.85 lm/ft (347.2 lm/m) / Blue: 17.01 lm/ft (55.8 lm/m) / Amber: 13.66 lm/ft (44.8 lm/m)  |
|                             | <b>5.0 Variable White Series 2 RibbonLyte</b><br>At 2200K: 33.84 lm/ft (111 lm/m) / At 6100K: 39.39 lm/ft (129.2 lm/m) / All LEDs at 100%: 71.77 lm/ft (235.4 lm/m)  |
|                             | <b>4.4 RGBW Series 2 RibbonLyte</b><br>Red: 4.94 lm/ft (16.2 lm/m) / Green: 16.09 lm/ft (52.8 lm/m) / Blue: 2.44 lm/ft (8 lm/m) / White: 14.94 lm/ft (49 lm/m)<br>All LEDs at 100%: 40.55 lm/ft (133 lm/m)   |
|                             | <b>4.4 RGBA Series 2 RibbonLyte</b><br>Please consult factory for data   |

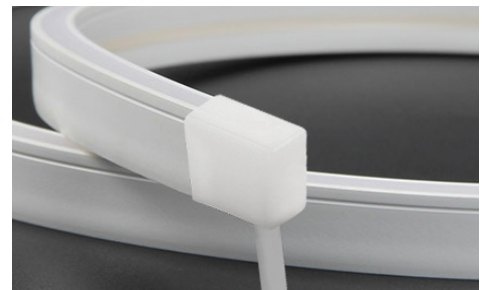
POWER FEED OPTIONS



End Feed - Power From End



Side Feed - Power From Side



Bottom Feed - Power From Bottom

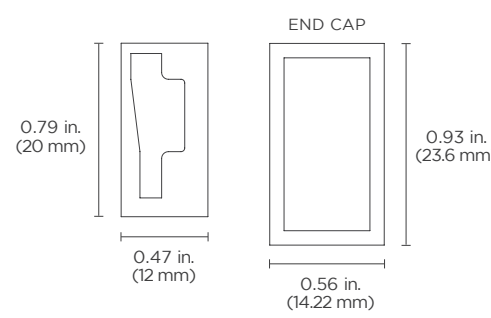
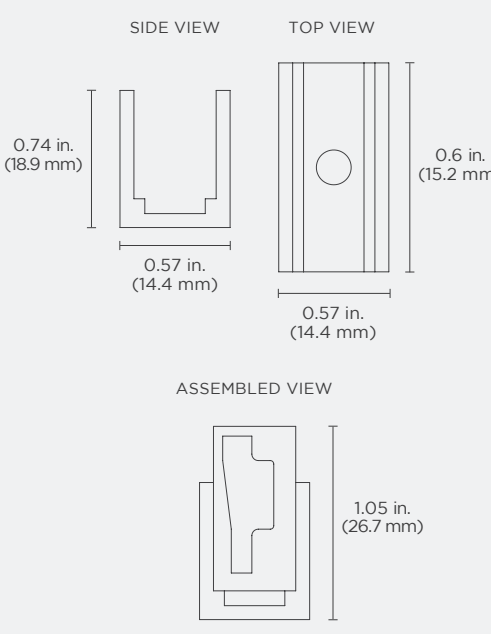
USAGE GUIDELINES

- When installing this product take into account the surface temperature of the material this product is mounted to. Many building surfaces which are exposed to direct sunlight exceed the 70° C/158° F maximum that our product is rated for. High-risk locations like this should be avoided.
- This product is not intended to be submerged in pools and fountains and does not carry UL 676 certification to do so. Available for download at [www.GENLEDBrands.com/Acolyte](http://www.GENLEDBrands.com/Acolyte)
- Compatible with a wide variety of control products including the entire line of Lutron dimming systems.
- For use with GENLED Acolyte<sup>®</sup> drivers, triac dimming modules, and 0-10 modules.
- Use with non-GENLED Acolyte<sup>®</sup> triac, MLV or ELV drivers is not supported or warrantied
- Due to the cuttable points inside, this product's cuttable lengths are generally longer or shorter than the customer requested length. Unless specified, this product is factory cut at the shorter cuttable point
- This product can be used in wet, outdoor locations around swimming pools and spa tubs, but not submerged in swimming pools and spa tubs.
- We reserve the right to make changes to product lineup, specifications, design and finishes at any time without notice.

GENLED Acolyte<sup>®</sup> does not warrant or represent that this information is free from errors or omission. The information may change without notice and GENLED Acolyte<sup>®</sup> is not in any way liable for the accuracy of any information printed and stored or in any way interpreted or used.

DIMENSIONS / DIAGRAMS

| DIMENSIONS   |                          | NEON SILHOUETTE PLUS                                  |
|--|--------------------------|---|
|  |                          |   |
| <b>FLEX CHANNEL</b>  |                          |   |
| IP68   | Width (mounted in clip)  | 0.57 in. (14.4 mm)                                    |
|  | Length                   | Varies (see dimensions on pg. 2) (Not Field Cuttable) |
|  | Height (mounted in clip) | 1.05 in. (26.7 mm)                                    |

| DIAGRAMS |   | NEON SILHOUETTE PLUS   |
|----------|---|--|
| TUBE     |   | <p><b>TUBE OUTER HEIGHT:</b> 0.79 in. / 20 mm<br/> <b>TUBE OUTER WIDTH:</b> 0.47 in. / 12 mm</p> <p><b>END CAP HEIGHT:</b> 0.93 in. / 23.6 mm<br/> <b>END CAP WIDTH:</b> 0.56 in. / 14.22 mm</p>   |
|          |  | <p><b>MOUNTING CLIP OVERALL HEIGHT:</b> 0.74 in. / 18.9 mm<br/> <b>MOUNTING CLIP LENGTH:</b> 0.6 in. / 15.2 mm<br/> <b>MOUNTING CLIP WIDTH:</b> 0.57 in. / 14.4 mm<br/> <b>MOUNTING CLIP SCREW TAP DIAMETER:</b> 0.11 in. / 2.8 mm<br/> <b>MOUNTING CLIP THICKNESS:</b> 0.05 in. / 1.3 mm</p> <p>Use (2) mounting clips per foot unless specific shapes require more<br/> *Recommended mounting clip screw size: #4-40</p> |

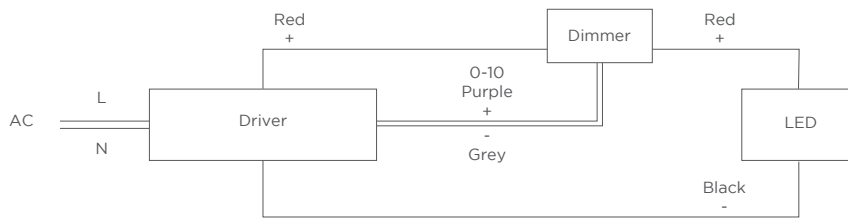
DISCLAIMER

When installing this product take into account the surface temperature of the material this product is mounted to. Many building surfaces which are exposed to direct sunlight exceed the 70° C/158° F maximum that our product is rated for. High-risk locations like this should be avoided.

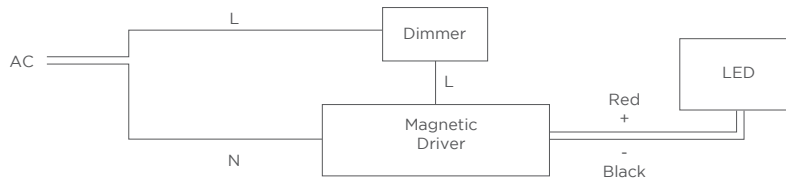
This product is not intended to be submerged in pools and fountains and does not carry UL 676 certification to do so.

WIRING DIAGRAMS

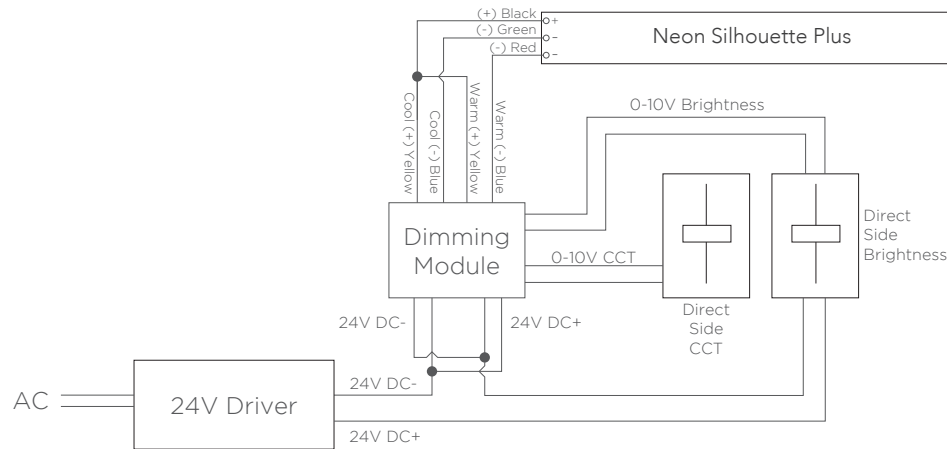
0-10V



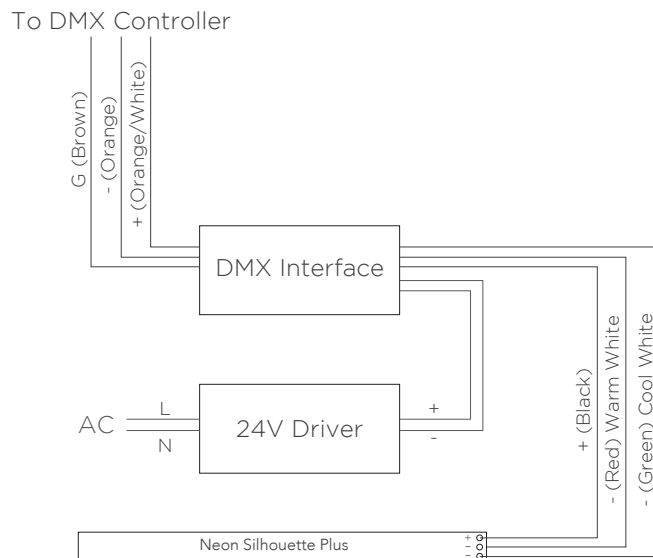
MAGNETIC + ELV



2-CHANNEL DIMMING WIRING DIAGRAM



DMX WIRING DIAGRAM - COMPATIBLE WITH ALL MODELS OF VARIABLE WHITE RIBBONLYTE



WIRE COLORS PER RIBBONLYTE COLOR

STATIC WHITE + STATIC COLOR

- Red Wire (+) Positive
- Black Wire (-) Negative

VARIABLE WHITE

- Black Wire (+) Positive
- Red Wire (-) Warm Channel
- Green Wire (-) Cool Channel