

Date _____ Project _____

Notes _____

AR7 CHANNEL FIXTURE

GENLED Acolyte[®]'s AR7 Channel Fixture is a recessed mounted linear fixture designed to work with the new Micro RibbonLyte 3.0 & 4.5. AR7's ultra slim width of 0.39 in (10 mm) can create clean and modern linear designs for retail stores, commercial buildings and residential interiors.

- Beam Angle 35°
- Wattage: 3.0 W/ft (9.84 W/m) or 4.5 W/ft (14.76 W/m)
- Delivered Lumen Range from 149.3 lm/ft (489.7 lm/m) to 268.2 lm/ft (879.7 lm/m)

Applications:

Commercial	Hospitality	Residential
Entertainment	Museums	Retail
Healthcare	Public Spaces	



AVAILABLE LENS FINISHES



Milky Lens
63% Light Transmission

ORDERING GUIDE

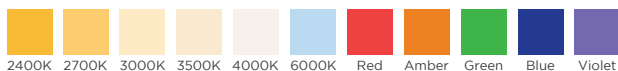
CATEGORY	LENS	CRI	RIBBON TYPE & IP RATING
CHAR7			
CHAR7 - AR7 Channel	O - No Lens M - Milky	0 - Static Colors 90 - 90+ CRI Static White	SWMC20 - Static White Micro IP20 SWMC65 - Static White Micro IP65 SWMC68 - Static White Micro IP68 SCMC20 - Static Color Micro IP20 SCMC65 - Static Color Micro IP65 SCMC68 - Static Color Micro IP68

WATTAGE	COLOR
3.0 - 3.0 W/ft (9.8 W/m - Static White, Static Color)	24 - 2400K R - Red
4.5 - 4.5 W/ft (14.8 W/m - Static White, Static Color)	27 - 2700K A - Amber 30 - 3000K G - Green 35 - 3500K B - Blue 40 - 4000K V - Violet 60 - 6000K

CONNECTION OPTIONS

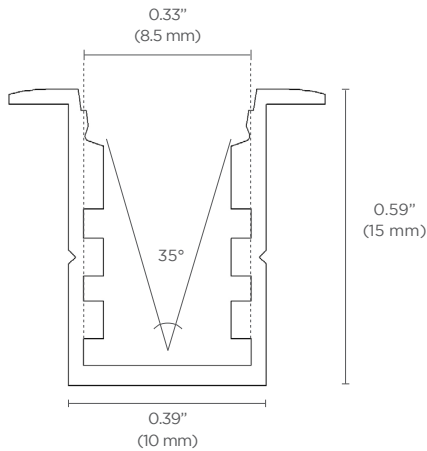
- | | |
|------------------------------------|--|
| 1 - Back Feed Hard Wire Connection | 5 - Soldered Daisy-Chain |
| 2 - Side Feed Hard Wire Connection | 6 - Daisy-Chain With IP20 Connectors |
| 3 - IP20 Connector Input | 7 - Daisy-Chain With IP67 Connectors |
| 4 - IP67 Connector Input | * See last page for connection diagram |

AVAILABLE COLORS AND COLOR TEMPERATURES



SPECIFICATIONS

AR7 Channel



Beam Angle	35°
Lens Type	Milky
Recessed Width	0.39 in (10 mm)
Height	0.59 in (15 mm)
Internal	0.33 in (8.5 mm)
Length	Channel is sold by the foot and cut to your exact desired length.
Operating Voltage	24V
Dimming	DMX / MLV / 0-10 Volt / Lutron A-Series 1% dimming LED drivers / Lutron VIVE code compliance available / ELV / DALI
Operating Temperature	-40° F to 158° F (-40° C to 70° C)
Colors	2400K, 2700K, 3000K, 3500K, 4000K, 6000K, Red, Amber, Green, Blue, Violet
CRI	90+ CRI (Static White only)
Lamp Life	50,000 Hours
MacAdam's Ellipses (SDCM)	2-Step Binning (For Static White LEDs only)
Certifications	ETL Listed: UL 2108 Issued: 2004/02/27 Ed: 1 Rev: 2014/02/24 Low Voltage Lighting Systems CSA C22.2#9.0 Issued: 1996/06/01 Ed: 1 (R2011) General Requirements for Luminaires; with Gen. Inst. 1: 1997, Gen Inst. 2: 1998. ROHS compliant UL 2108 - Low Voltage Lighting Systems UL 8750 - Light Emitting Diode (LED) Equipment for Use in Lighting Products UL 1598 / CSA 250.0-08 - Luminaires

SPECIFICATIONS

Available Wattages	Cutable Length	LED Pitch	Color Temperature	lm/W without Lens	Delivered Lumens with Milky Lens	Standard Cable Length	Compatible with Channel		
							IP20	IP65	IP68
3.0 Static White Micro / 3.0 Static Color Micro	3.94 in (100 mm)	18 LEDs/ft (60 LEDs/m)	2400K	79	149.3 lm/ft (489.7 lm/m)	12 in (30.5 cm)	✓	✓	✓
			2700K	90	170.1 lm/ft (557.9 lm/m)				
			3000K	94	177.7 lm/ft (582.7 lm/m)				
			3500K	98	185.2 lm/ft (607.5 lm/m)				
			4000K	97	183.3 lm/ft (601.3 lm/m)				
			6000K	93	175.8 lm/ft (576.5 lm/m)				
			Red	27	50.3 lm/ft (164.9 lm/m)				
			Green	78	147.5 lm/ft (483.9 lm/m)				
			Blue	17	31.9 lm/ft (104.6 lm/m)				
			Amber	19	35.5 lm/ft (116.4 lm/m)				
			Violet	1	0.9 lm/ft (2.9529lm/m)				
			4.5 Static White Micro / 4.5 Static Color Micro	1.97 in (50 mm)	36 LEDs/ft (120 LEDs/m)				
2700K	88	247.8 lm/ft (812.7 lm/m)							
3000K	93	259.8 lm/ft (852.2 lm/m)							
3500K	87	244.7 lm/ft (802.6 lm/m)							
4000K	97	268.2 lm/ft (879.7 lm/m)							
6000K	94	263.1 lm/ft (862.9 lm/m)							
Red	26	73.5 lm/ft (241.1 lm/m)							
Green	83	243.8 lm/ft (799.9 lm/m)							
Blue	17	52.8 lm/ft (173.2 lm/m)							
Amber	17	51.7 lm/ft (169.6 lm/m)							
Violet	1	1.4 lm/ft (4.5 lm/m)							

AVAILABLE DRIVERS

NON-DIMMING ELECTRONIC DRIVERS

LUTRON HI-LUME DRIVERS



60W, 100W Non-Dimming Electronic Class 2 Drivers

Part No.:

- DRVW2460HTC (60 Watt)
- DRV24100HTC (100 Watt)

Output Voltage: 24 V
Voltage Range: 120-277 VAC
IP Rating: Dry or Damp
UL Listed



240W, 320W Non-Dimming Electronic Drivers

Part No.:

- DRVW24240 (240 Watt)
- DRVW24320 (320 Watt)

Output Voltage: 24 V
Voltage Range: 90-305 VAC
IP Rating: Dry or Damp
UL Recognized



40W, 96W Class 2 Lutron Hi-Lume Drivers

Part No.:

- DRVLUT24403W (40 Watt)
- DRVLUT24402W (40 Watt)
- DRVLUT24963W (96 Watt)

Output Voltage: 24 V
Voltage Range: 120-277 VAC or 120V (2-wire model)
IP Rating: Dry or Damp
Dimmable using 2-wire forward phase or 3-wire ecosystem
UL Listed

MAGNETIC, ELV & MLV DRIVERS WITH COMPATIBLE DIMMERS.



60W, 96W, 200W, 300W Class 1 & 2 Magnetic Drivers

Part No.:

- DRVWDIM2460 (60 Watt)
- DRVWDIM24100 (96 Watt)
- DRVWDIM24200 (200 Watt)
- DRVWDIM24300 (300 Watt)

Magnetic Driver
Output Voltage: 24 V
Voltage Range: 120-277 VAC
IP Rating: Dry or Damp
Forward Phase Dimming
ETL Listed



60W, 96W, 150W, 200W ELV & MLV Drivers

Part No.:

- DRVW2460ELV (60 Watt)
- DRVW2496ELV (96 Watt)
- DRVW24150ELV (150 Watt)
- DRVW24200ELV (200 Watt)

Line Voltage Dimmable Drivers
Output Voltage: 24 V
Voltage Range: 100-130 VAC
IP Rating: Dry or Damp
Dimmable
ETL, UL and CSA Listed



LUTRON Skylark Contour Dimmer

Part No.: TRIDIMSKY
Width: 2.94 in (75 mm)
Length: 4.69 in (120 mm)
Depth: 0.30 in (7.6 mm)

- Single pole and 3-way versions
- Compatible with GENLED Acolyte Triac Dimmer
- Slide adjusts brightness and On/Off control
- 30 mA max control current
- Available in White finish



LUTRON NOVA-T Dimmer

Part No.: TRIDIMNOVA
Width: 2.75 in (70 mm)
Length: 4.56 in (116 mm)
Depth: 0.30 in (7.6 mm)

- Slide adjusts brightness and On/Off control
- 30 mA max control current
- Available in White finish



LUTRON DIVA Dimmer

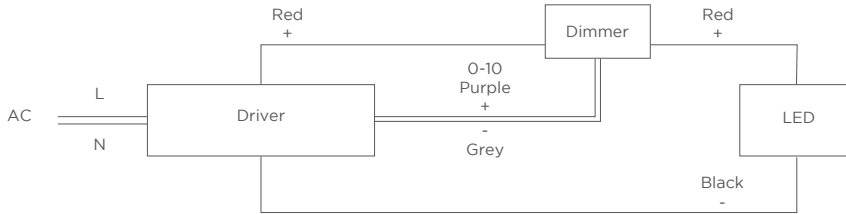
Part No.: TRIDIMDIVA
(With Locator Light) TRIDIMDIVAL
Width: 2.94 in (75 mm)
Length: 4.69 in (120 mm)
Depth: 0.30 in (7.6 mm)

- Large paddle switch with a captive linear-slide dimmer
- 30 mA max control current
- Available in White finish
- Available with locator light which glows green when the switch is off

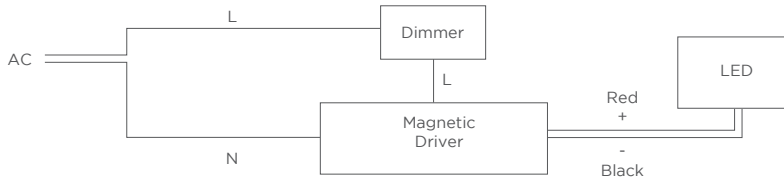
*For more options, please reference the Optional Dimmer List on GENLED Acolyte[®]'s product website page.

WIRING DIAGRAM

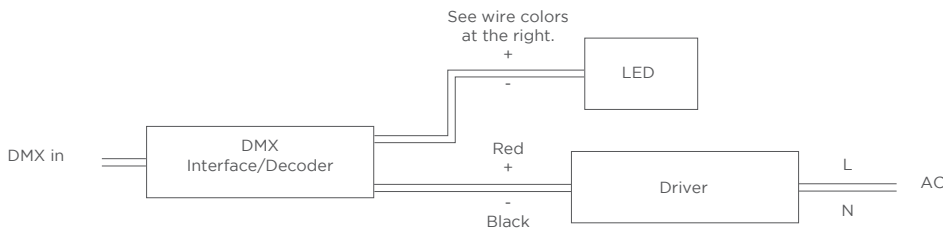
0-10V



MAGNETIC + ELV



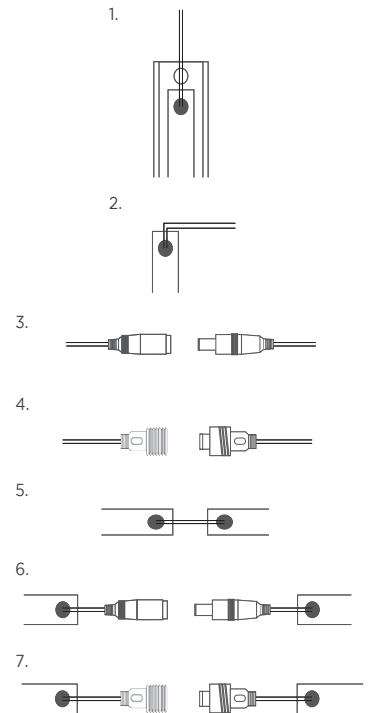
DMX



WIRE COLORS PER RIBBONLYTE COLOR

STATIC WHITE +
STATIC COLOR MICRO
Red Wire (+) Positive
Black Wire (-) Negative

CONNECTION OPTIONS



MAX LENGTH BETWEEN DRIVER AND RIBBONLYTE AT FULL LOAD

Wattages	40		60		96 + 100		150		200		240		300		320	
	Feet	Meters	Feet	Meters	Feet	Meters	Feet	Meters	Feet	Meters	Feet	Meters	Feet	Meters	Feet	Meters
24 AWG	14	4.27	9	2.74	5.5	1.68	3.75	1.14	2.75	0.84	2.25	0.69	1.75	0.53	1.75	0.53
22 AWG	22	6.71	14	4.27	9	2.74	5.75	1.75	4.5	1.37	3.5	1.07	2.75	0.84	2.75	0.84
20 AWG	35	10.67	23	7.01	14	4.27	9	2.74	7	2.13	5.75	1.75	4.5	1.37	4.25	1.30
18 AWG	56	17.07	37	11.28	23	7.01	15	4.57	11	3.35	9	2.74	7.5	2.29	7	2.13
16 AWG	90	27.44	60	18.29	37	11.28	24	7.32	18	5.49	15	4.57	12	3.66	11	3.35
14 AWG	142	43.29	95	28.96	59	17.99	38	11.59	28	8.54	23	7.01	19	5.79	17	5.18
12 AWG	226	68.90	151	46.04	94	28.66	60	18.29	45	13.72	37	11.28	30	9.15	28	8.54
10 AWG	360	109.76	240	73.17	150	45.73	96	29.27	72	21.95	60	18.29	48	14.63	45	13.72
8 AWG	574	175.00	381	116.16	239	72.87	153	46.65	115	35.06	95	28.96	76	23.17	71	21.65

GENLED Acolyte[®] does not warrant or represent that the information is free from errors or omission. The information may change without notice and GENLED Acolyte[®] is not in any way liable for the accuracy of any information printed and stored or in any way interpreted or used.