



Date _____ Project _____

Notes _____

RGB DIRECT AC RIBBONLYTE

GENLED Acolyte[®]'s RGB Direct AC RibbonLyte extends up to 100 ft on a single run with no drivers - perfect for long coves and other large spaces. It is factory cuttable every 1 foot.

- Directly input 120 Volts AC
- Max run length: 100 ft (30.48 m)
- Red, Green, Blue (color changing)
- Factory cuttable every 1 ft (304.8 mm)
- IP65
- Dimmable and color tunable with DMX controller
- Mounting clips included



Applications:

- | | | |
|---------------|---------------|-------------|
| Commercial | Hospitality | Residential |
| Entertainment | Museums | Retail |
| Healthcare | Public Spaces | |



ORDERING GUIDE

Category	CRI	Ribbon Type & IP Rating	Wattage + Color
RB	0	AC12065	3.0RGB
RB - RibbonLyte	0 - RGB	AC12065 - Direct AC 120V IP65	3.0RGB - 3.0 RGB

Connection Options:

- RBACRGB2MI - 2-meter cable to bare wire
- RBACRGB8MI - 8-meter cable to bare wire
- RBACRGB4MJ - 4-meter jumper cable
- RBACRGB30CJ - 30 cm jumper cable
- RBACRGB6CJ - 6 cm jumper cable

Included Accessories:

Mounting Clip (1 clip per linear foot)

Optional Accessories:

- Waterproof Cable Connector**
(Part No.: COUPT654BK) see page 4 for instruction
- 120V DMX Interface Decoder**
(Part No.: DMXINF120RGB) see page 6 for instruction



AVAILABLE COLOR TEMPERATURES



RGB



SPECIFICATIONS / DIMENSIONS / CHANNEL COMPATIBILITY

SPECIFICATIONS				
Operating Voltage	120VAC			
Power Consumption	3 W/ft (9.8 W/m)			
Current (mA)	25 mA/ft (82 mA/m)			
LED Pitch	36 LEDs/ft (120 LEDs/m)			
Protection Rating	IP65			
Dimming/Control	DMX			
Ambient Temperature	-4°F - 113°F (-20°C - 45°C)			
Color Temperatures	Red	Green	Blue	ALL
Wavelength (nm)	620 - 628	525 - 531	470 - 475	
Lumens	28 lm/ft (92 lm/m)	71 lm/ft (233 lm/m)	18 lm/ft (59 lm/m)	124 lm/ft (407 lm/m)
LED Beam Angle	150°			
Efficacy (lm/w)	29.6	79.9	22.6	43.4
Cutable Length	1 ft (304.8 mm)			
Max Run length	100 ft (30.48 m)			
Cable Length	2 meter cable molded end cap to bare wire (6.5 ft) 8 meter cable molded end cap to bare wire (26.2 ft) 4 meter cable molded end cap to molded end cap jumper (13.1 ft) 30 cm cable molded end cap to molded end cap jumper (11.8") 6 cm cable molded end cap to molded end cap jumper (2.4")			
Certifications	ETL Listed			
TM-21 Projection - L70 (10K) LED Lifetime	> 50,000 hours			
Dimensions	DIRECT AC RIBBONLYTE		MOUNTING CLIP (including 1 clip per foot)	
				
Width	0.73 in / 18.5 mm (end cap and cable grip width: 1.44 in / 36.6 mm)		0.94 in / 23.9 mm	
Length	100 ft (30.48 m) - max length. Factory cuttable every 1 ft (304.8 mm)		0.71 in / 18.0 mm	
Height	0.28 in (7.1 mm)		0.48 in / 12.2 mm	

GENLED Acolyte[®] does not warrant or represent that the information is free from errors or omission. The information may change without notice and GENLED Acolyte[®] is not in any way liable for the accuracy of any information printed and stored or in any way interpreted or used.

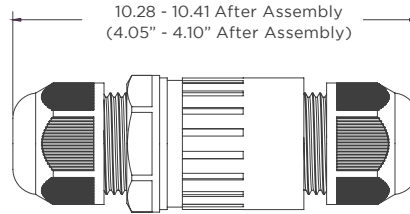
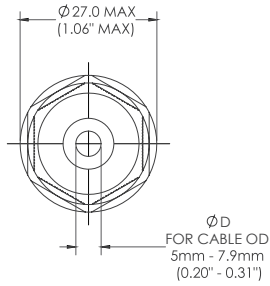
DIAGRAMS

Power Feed Cap & End Cap Dimensions	<p>Top View</p> <p>Side View</p>	<p>Width of End Cap: 1.4 in (35.56 mm) Length of Power Feed Cap: 2.5 in (63.5 mm) Length of End Cap: 1.32 in (33.53 mm) Height of End Cap: 0.57 in (14.5 mm) Height of RibbonLyte: 0.28 in (7.1 mm) Height of Power Feed Cap: 0.73 in (18.54 mm)</p>
	<p>Power Feed Option 1</p> <p>2 meter molded end cap to bare wire Part Number: RBACRGB2MI Bare wire length: 6.5 ft (2 m)</p>	
<p>Power Feed Option 2</p> <p>8 meter cable molded end cap to bare wire Part Number: RBACRGB8MI Bare wire length: 26.2 ft (8 m)</p>		
Power Feed Options	<p>Power Feed Option 3</p> <p>4 meter cable molded end cap to cable molded end cap jumper Part Number: RBACRGB4MJ Jumper cable length: 13.1' (4 m)</p>	
	<p>Power Feed Option 4</p> <p>30 cm cable molded end cap to cable molded end cap jumper Part Number: RBACRGB30CJ Jumper cable length: 11.8' (30 cm)</p>	
	<p>Power Feed Option 5</p> <p>6 cm cable molded end cap to cable molded end cap jumper Part Number: RBACRGB6CJ Jumper cable length: 2.4' (6 cm)</p>	
In Channel	<p>Top View in Channel</p>	<p>When using Direct AC RibbonLyte with channels, the Power Feed Cap and End Cap will be exposed outside of the channel (Shown with AC4 channel for reference)</p>

SPECIFICATIONS

We provide 2m and 8m power feed solutions. If additional length is needed use the cable coupler.
Part No. : COUPT654BK

Dimensions (Part Number: COUPT654BK)

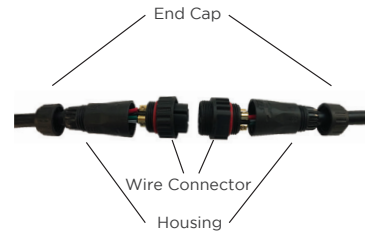


The Connector



Length: 4.05" - 4.10" After Assembly
Diameter: 1.06" MAX

Exploded View of the Connector



Step 1



Assemble cable from one end of the connector as shown above.

Step 2



Assemble cable from the other end of the connector as shown above. Make sure the wires go to their corresponding terminals (e.g. wire color matches to each other).

Step 3



Tighten two housings together and insert the rubber parts at the housing ends.

Step 4



Tighten two end caps.

RIBBONLYTE CHANNEL COMPATIBILITY

CHANNELS	IP65
AC1	
AC2	
AC3	
AC4	✓
AC5	✓
AP1	
AR1	
AR2	
AR3	
AS1	
AS2	
AS3	
AS6	
AS20G	
AT4	
AT5	
AT11	
AW35	
B1	
C22	
GL1	
GL2	
ROUND	
W31	✓
WH35	✓

SURFACE-MOUNTED CHANNELS

LENS OPTIONS: C - Clear F - Frosted M - Milky



AC4
C, F, M



AC5
C, F, M



WH35
C, F, M

RECESSED CHANNELS

LENS OPTIONS: C - Clear F - Frosted M - Milky

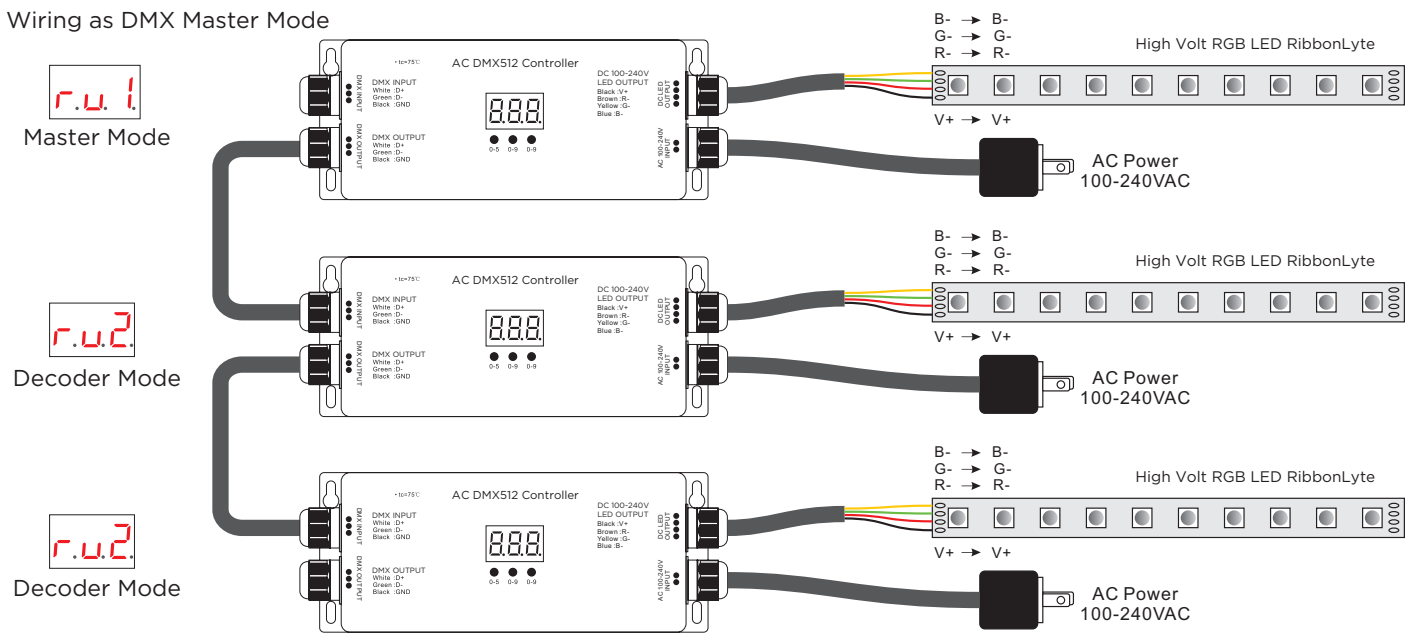
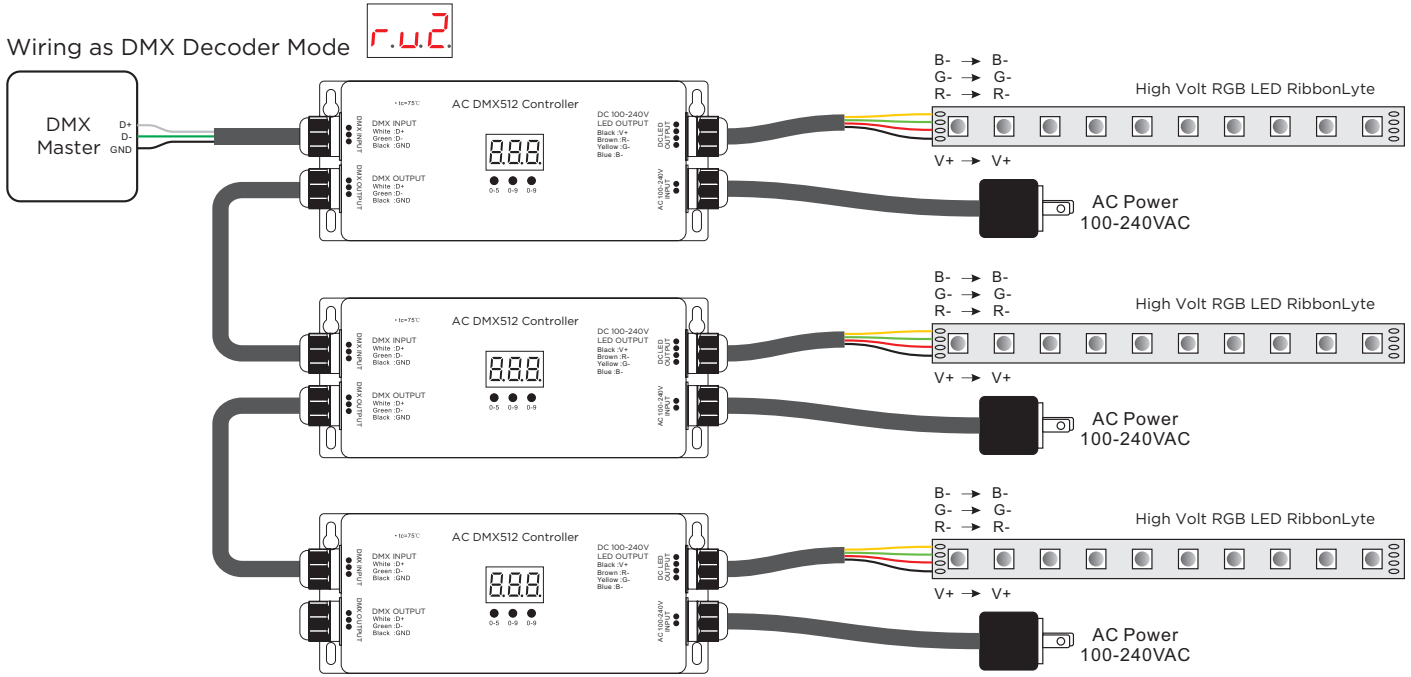


W31
C, F, M

USAGE GUIDELINES:

- When installing this product take into account the surface temperature of the material this product is mounted to. Many building surfaces exceed the 45° C / 113° F maximum that our product is rated for. High-risk locations like this should be avoided. Avoid direct sunlight.
- This product is not intended to be submerged in pools and fountains and does not carry UL676 certification to do so.
- Please refer to our RibbonLyte Proper Use Guide in our *Application Guide* for more information. Available for download at www.GENLEDBrands.com/Acolyte
- Compatible with a wide variety of control products including the entire line of Lutron dimming systems.
- For use with **GENLED Acolyte**[®] drivers, 0-10V dimming modules and interface controllers (DMXINF models).
- Use with non-**GENLED Acolyte**[®] supplied Triac, MLV or ELV drivers is not supported or warranted.
- Due to the nature of the product, RibbonLyte cuttable lengths are generally longer or shorter than the customer requested length. Unless specified, RibbonLyte is factory cut at the shorter cuttable point.
- We reserve the right to make changes to product lineup, specifications, design and finishes at any time without notice.

DIMMING SYSTEM WIRING DIAGRAM



High Voltage 3 Channel DMX Interface



Width: 2.9 in (73.6 mm)
Length: 5.93 in (150.5 mm)
Depth: 1.38 in (35 mm)

Part Number: DMXINF20RGB

REV. 12MAR2020